



HOVERMATT®

Air Transfer System

User Manual

Visit www.HoverMatt.com for other languages

TABLE OF CONTENTS

Symbol Reference	2
Intended Use and Precautions.....	2
Part Identification - HoverMatt® Air Transfer Mattress	3
Part Identification - HT-Air® Air Supply.....	3
HT-Air® Keypad Functions	3
Air200G/Air400G Air Supplies.....	3
Instructions for Use	4-5
Product Specifications/Required Accessories.....	6-7
Cleaning and Preventive Maintenance	7
Using the HoverMatt® Air Transfer System in the Operating Room	7
Returns and Repairs.....	8

Symbol Reference



DECLARATION OF CONFORMITY
TO MEDICAL DEVICE DIRECTIVE

Intended Use and Precautions

INTENDED USE

The HoverMatt® Air Transfer System is used to assist caregivers with patient transfers, positioning, turning and proning. The HoverTech Air Supply inflates the HoverMatt to cushion and cradle the patient, while air simultaneously escapes from the holes on the underside, reducing the force needed to move the patient by 80-90%.

INDICATIONS

- Patients unable to assist in their own lateral transfer
- Patients whose weight or girth poses a potential health risk for the caregivers responsible for repositioning or laterally transferring said patients

CONTRAINDICATIONS

- Patients who are experiencing thoracic, cervical or lumbar fractures that are deemed unstable should not use the HoverMatt unless a clinical decision has been made by your facility.

INTENDED CARE SETTINGS

- Hospitals, long term or extended care facilities

PRECAUTIONS – HOVERMATT

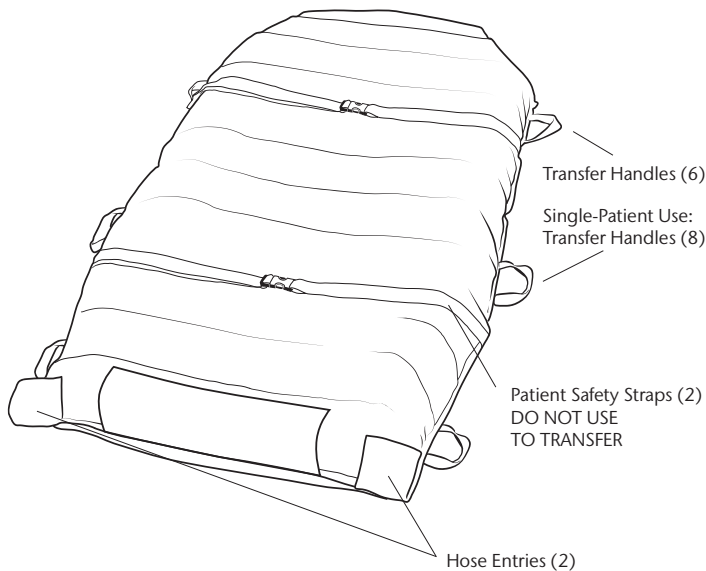
- Caregivers must verify that all caster brakes have been engaged prior to transfer.
- For safety, always use two people during patient transfer.
- Additional caregivers are recommended when moving a patient over 750 lbs/340kg.
- Never leave patient unattended on an inflated device.
- Use this product only for its intended purpose as described in this manual.
- Only use attachments and/or accessories that are authorized by HoverTech International.
- When transferring to a low air loss bed, set the bed mattress air flow to the highest level for a firm transfer surface.
- Never attempt to move a patient on an uninflated HoverMatt.
- **WARNING:** In the OR – To prevent the patient from slipping, always deflate the HoverMatt and secure the patient and HoverMatt to the OR table prior to moving the table into an angled position.

PRECAUTIONS – AIR SUPPLY

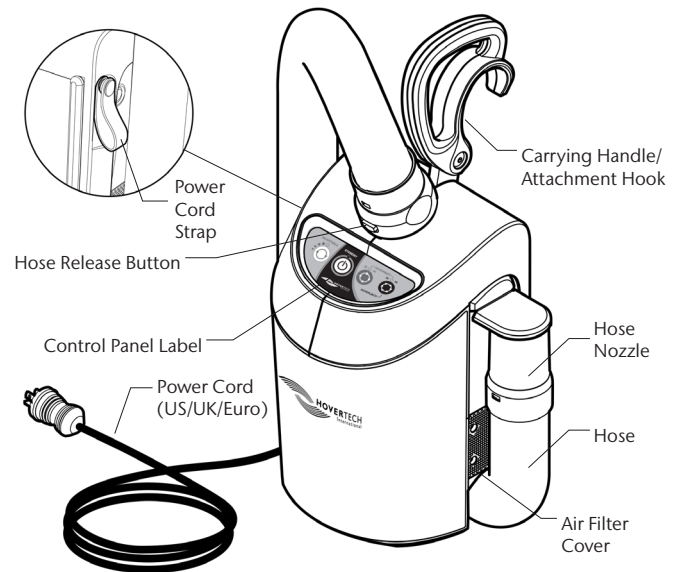
- Not for use in the presence of flammable anesthetics or in a hyperbaric chamber or oxygen tent.
- Route the power cord in a manner to ensure freedom from hazard.
- Avoid blocking the air intakes of the air supply.
- When using the HoverMatt in the MRI environment, a 25 ft. specialty MRI hose is required (available for purchase).
- **CAUTION:** Avoid electric shock. Do not open air supply.
- **WARNING:** Reference product specific user manuals for operating instructions.

HOVERMATT® User Manual

Part Identification – HoverMatt® Air Transfer Mattress

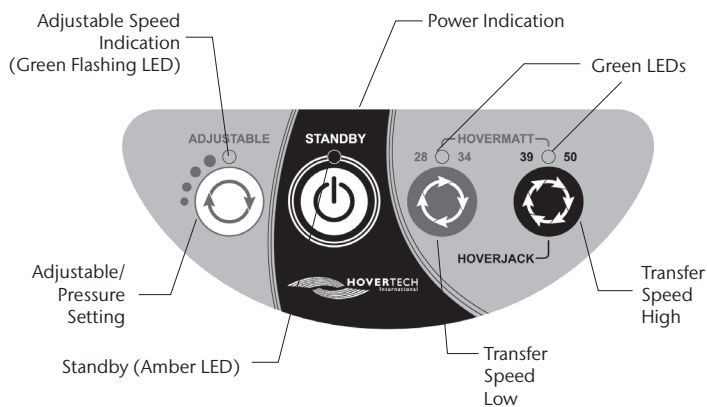


Part Identification – HT-Air® Air Supply



WARNING: The HT-Air is not compatible with DC power supplies.
The HT-Air is not for use with the HoverJack Battery Cart.

HT-Air® Keypad Functions



ADJUSTABLE: For use with HoverTech air-assisted positioning devices. There are four different settings. Each press of the button increases the air pressure and rate of inflation. The Green Flashing LED will indicate the inflation speed by the number of flashes (i.e. two flashes equals the second inflation speed).

All of the settings in the ADJUSTABLE range are substantially lower than the HoverMatt and HoverJack settings. The ADJUSTABLE function is not to be used for transferring.

The ADJUSTABLE setting is a safety feature that can be used to ensure the patient is centered on HoverTech air-assisted devices and to gradually accustom a patient who is timid or in pain to both the sound and functionality of the inflated devices.



STANDBY: Used to stop inflation/air flow (Amber LED indicates STANDBY mode).



HOVERMATT 28/34: For use with 28" & 34" HoverMatts and HoverSlings.



HOVERMATT 39/50 & HOVERJACK: For use with 39" & 50" HoverMatts and HoverSlings and 32" & 39" HoverJacks.

Air200G/Air400G Air Supplies

If using HoverTech's Air200G or Air400G Air Supplies, press the grey button on the top of the canister to initiate air flow. Press the button again to stop air flow.

Instructions for Use – HoverMatt® Air Transfer System

1. Patient should preferably be in a supine position.
 2. Place HoverMatt underneath patient using a log-rolling technique and secure patient safety straps loosely.
 3. Plug the HoverTech Air Supply power cord into an electrical outlet.
 4. Insert the hose nozzle into either of two hose entries at foot end of HoverMatt and snap into place.
 5. Ensure that transfer surfaces are as close as possible and lock all wheels.
 6. If possible, transfer from a higher surface to a lower surface.
 7. Turn on HoverTech Air Supply.
 8. Push HoverMatt at an angle, either headfirst or feetfirst. Once half-way across, opposite caregiver should grasp closest handles and pull to desired location.
 9. Ensure patient is centered on receiving equipment prior to deflation.
 10. Turn off air supply and employ the bed/stretcher rails. Unbuckle patient safety straps.
- NOTE: When using the 50" HoverMatt, two air supplies may be used for inflation.

Instructions for Use – HoverMatt® SPU Link

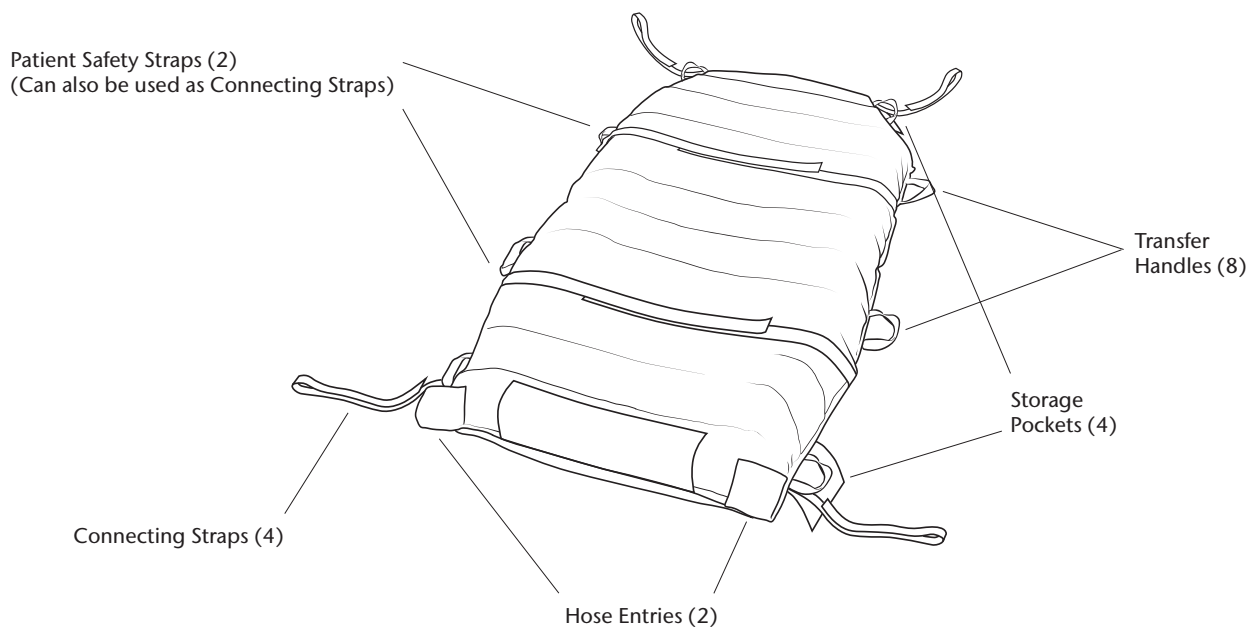
ATTACHING TO BEDFRAME

1. Remove connecting straps from pockets and loosely attach to solid points on the bed frame to allow the SPU Link to move with the patient.
2. Before lateral transfers and positioning, disconnect connecting straps from bed frame and stow in corresponding storage pockets.

LATERAL TRANSFER

1. Patient should preferably be in a supine position.
2. Place HoverMatt underneath patient using a log-rolling technique and secure patient safety straps loosely.
3. Plug the HoverTech Air Supply power cord into an electrical outlet.
4. Insert the hose nozzle into either of two hose entries at foot end of HoverMatt and snap into place.

5. Ensure that transfer surfaces are as close as possible and lock all wheels.
6. If possible, transfer from a higher surface to a lower surface.
7. Turn on HoverTech Air Supply.
8. Push HoverMatt at an angle, either headfirst or feetfirst. Once half-way across, opposite caregiver should grasp closest handles and pull to desired location.
9. Ensure patient is centered on receiving equipment prior to deflation.
10. Turn off air supply and employ the bed/stretcher rails. Unfasten patient safety straps.
11. Remove connecting straps from pockets and loosely attach to solid points on bed frame.



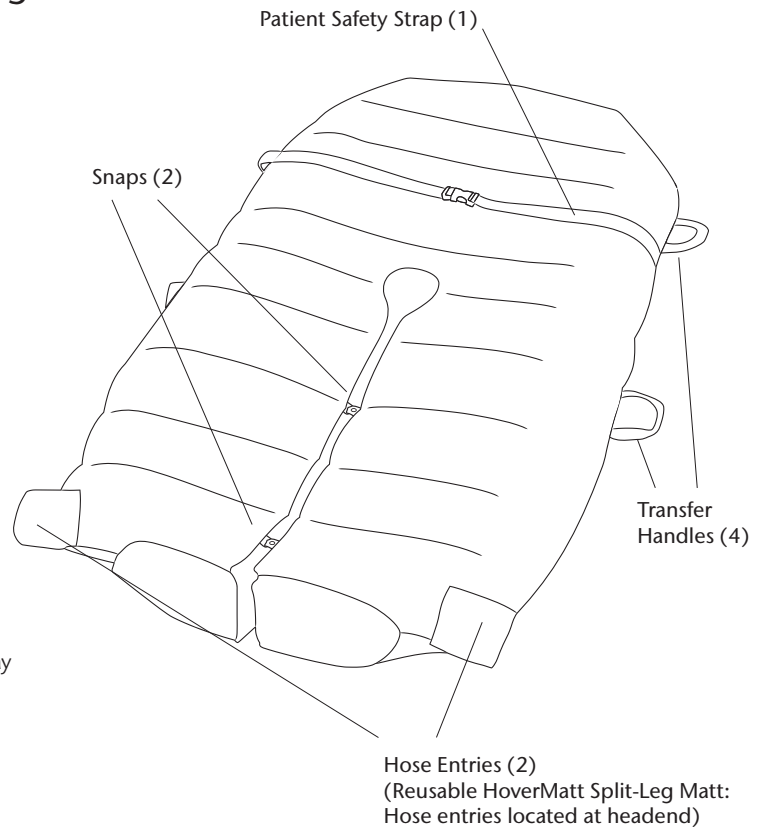
Instructions for Use – HoverMatt® Split-Leg Matt

LITHOTOMY POSITION

1. Separate the legs into two individual sections by disconnecting the snaps.
2. Position each section on the table with the patient's legs.

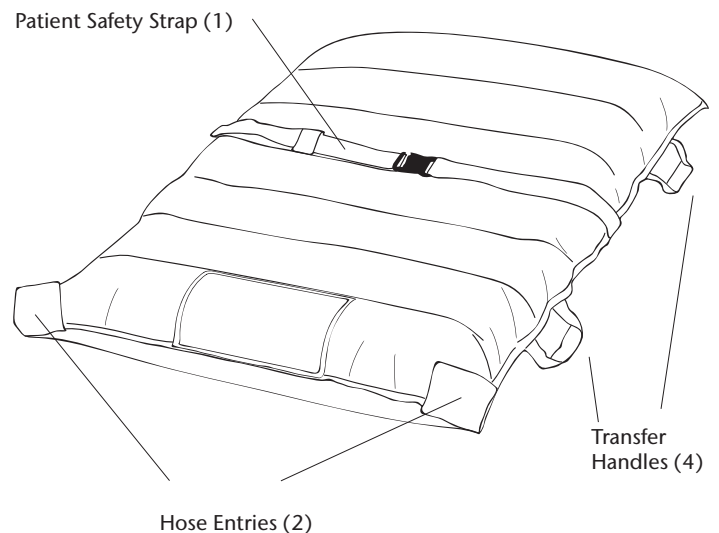
LATERAL TRANSFER

1. Ensure all snaps located at the center leg and foot sections are connected.
2. Patient should preferably be in supine position.
3. Place the HoverMatt underneath the patient using a log-rolling technique and secure patient safety strap loosely.
4. Plug HoverTech Air Supply power cord into an electrical outlet.
5. Insert hose nozzle into either of the two hose entries located at the headend of the Reusable Split-Leg Matt, or at the footend of the Single-Patient Use Split-Leg Matt, and snap into place.
6. Ensure that transfer surfaces are as close as possible and lock all wheels.
7. If possible, transfer from a higher surface to a lower surface.
8. Turn on HoverTech Air Supply.
9. Push HoverMatt at an angle, either headfirst or feetfirst. Once half-way across, opposite caregiver should grasp closest handles and pull to desired location.
10. Ensure patient is centered on receiving equipment prior to deflation.
11. Turn off HoverTech Air Supply and employ bed/stretcher rails. Unbuckle patient safety strap.
12. When the Split-Leg Matt is deflated, position each leg section as appropriate.



Instructions for Use – HoverMatt® Half-Matt

1. Patient should preferably be in a supine position.
2. Place HoverMatt underneath patient using a log-rolling technique and secure patient safety strap loosely.
3. Plug the HoverTech Air Supply power cord into an electrical outlet.
4. Insert hose nozzle into either of two hose entries at foot end of HoverMatt and snap into place.
5. Ensure that transfer surfaces are as close as possible and lock all wheels.
6. If possible, transfer from a higher surface to a lower surface.
7. Turn on HoverTech Air Supply.
8. Push HoverMatt at an angle, either headfirst or feetfirst. Once half-way across, opposite caregiver should grasp closest handles and pull to desired location. Ensure caregiver at footend guides patient's feet during the transfer.
9. Ensure patient is centered on receiving equipment prior to deflation.
10. Turn off HoverTech Air Supply and employ the bed/stretcher rails. Unbuckle patient safety strap.



WARNING: ALWAYS USE A MINIMUM OF THREE CAREGIVERS WHEN USING THE HOVERMATT HALF-MATT.

Product Specifications/Required Accessories

HOVERMATT® AIR TRANSFER MATTRESS (REUSABLE)

Material:	Heat-Sealed: Nylon twill Double-Coated: Nylon twill with silica polyurethane coating on patient side
Construction:	RF-Welded
Width:	34" (86 cm), 39" (99 cm), 50" (127 cm)
Length:	78" (198 cm) Half-Matt: 45" (114 cm)

Heat-Sealed Construction

Model #: HM28HS – 28" W x 78" L
Model #: HM34HS – 34" W x 78" L
Model #: HM39HS – 39" W x 78" L
Model #: HM50HS – 50" W x 78" L

Double-Coated Construction

Model #: HM28DC – 28" W x 78" L
Model #: HM34DC – 34" W x 78" L
Model #: HM39DC – 39" W x 78" L
Model #: HM50DC – 50" W x 78" L

WEIGHT LIMIT 1200 LBS/ 544KG

HoverMatt Half-Matt

Model #: HM-Mini34HS – 34" W x 45" L

Double-Coated Construction

Model #: HM-Mini34DC – 34" W x 45" L

WEIGHT LIMIT 600 LBS/ 272 KG

REQUIRED ACCESSORY:

Model #: HTAIR1200 (North American Version) – 120V~, 60Hz, 10A
Model #: HTAIR2300 (European Version) – 230V~, 50 Hz, 6A
Model #: HTAIR1000 (Japanese Version) – 100V~, 50/60 Hz, 12.5A
Model #: HTAIR2356 (Korean Version) – 230V~, 50/60 Hz, 6A
Model #: AIR200G (800 W) – 120V~, 60Hz, 10A
Model #: AIR400G (1100 W) – 120V~, 60Hz, 10A

LATEX FREE

HOVERMATT® SINGLE-PATIENT USE AIR TRANSFER MATTRESS

Material:	Top: Non-woven polypropylene fiber Bottom: Nylon twill
Construction:	Sewn
Width:	34" (86 cm), 39" (99 cm), 50" (127 cm)
Length:	Varies by product Half-Matt: 45" (114 cm)

HoverMatt Single-Patient Use

Model #: HM34SPU-B – 34" W x 78" L (10 per box)*
Model #: HM39SPU-B – 39" W x 78" L (10 per box)*
Model #: HM50SPU-B – 50" W x 78" L (5 per box)*
Model #: HM50SPU-B-1Matt – 50" W x 78" L (1 Unit)*

HoverMatt SPU Split-Leg Matt

Model #: HM34SPU-SPLIT-B – 34" W x 70" L (10 per box)*

HoverMatt SPU Link

Model #: HM34SPU-LNK-B – 34" W x 78" L (10 per box)*
Model #: HM39SPU-LNK-B – 39" W x 78" L (10 per box)*
Model #: HM50SPU-LNK-B – 50" W x 78" L (5 per box)*
Model #: HM50SPU-LNK-B-1Matt – 50" W x 78" L (1 Unit)*

WEIGHT LIMIT 1200 LBS/ 544 KG

HoverMatt SPU Half-Matt

Model #: HM34SPU-HLF-B – 34" W x 45" L (10 per box)*
Model #: HM39SPU-HLF-B – 39" W x 45" L (10 per box)*

WEIGHT LIMIT 600 LBS/ 272 KG

*Breathable model

REQUIRED ACCESSORY:

Model #: HTAIR1200 (North American Version) – 120V~, 60Hz, 10A
Model #: HTAIR2300 (European Version) – 230V~, 50 Hz, 6A
Model #: HTAIR1000 (Japanese Version) – 100V~, 50/60 Hz, 12.5A
Model #: HTAIR2356 (Korean Version) – 230V~, 50/60 Hz, 6A
Model #: AIR200G (800 W) – 120V~, 60Hz, 10A
Model #: AIR400G (1100 W) – 120V~, 60Hz, 10A

LATEX FREE

Using the HoverMatt® Air Transfer System in the Operating Room

OPTION 1

Place the HoverMatt on the Pre-Op stretcher or bed prior to patient arrival. Have patient ambulate onto bed/stretcher or use a HoverMatt to perform a lateral transfer. Once in the OR, ensure the OR table is secured and locked to the floor, then transfer the patient onto the OR table. Have a caregiver at headend of OR table ensure the patient is centered before deflating the HoverMatt. Position the patient as needed for surgery. Tuck the edges of the HoverMatt under the OR table pad, and ensure table rails are accessible. For supine surgeries, follow your facility's patient positioning protocol. After the case, release the edges of the HoverMatt from under the OR table. Buckle patient safety straps loosely. Partially inflate the HoverMatt using the ADJUSTABLE setting, have headend caregiver ensure the patient is centered, then fully inflate using the appropriate high speed setting. Transfer the patient to the stretcher or bed.

OPTION 2

Prior to patient arrival, place the HoverMatt on the OR table and tuck the edges under the OR table pad. Ensure table rails are accessible. Transfer the patient onto the table, and proceed as described in Option 1.

TRENDELENBURG POSITION

If Trendelenburg or Reverse Trendelenburg is required, an appropriate anti-slide device that secures to the frame of the OR table must be used. For Reverse Trendelenburg, a device that clamps to the OR table frame, such as a footplate, should be used. If the surgery also includes a tilt side-to-side (airplaning), the patient must be safely secured to accommodate this position prior to starting surgery.

Cleaning and Preventive Maintenance

In between patient uses, the HoverMatt should be wiped down with a cleaning solution used by your hospital for medical equipment disinfection. A 10:1 bleach solution (10 parts water: one part bleach) or disinfectant wipes can also be used. It is important to follow the cleaning solution manufacturer's instructions for use, including dwell time and saturation.

NOTE: Cleaning with bleach solution may discolor fabric.

If a reusable HoverMatt becomes badly soiled, it should be laundered in a washing machine with a 160° F (71° C) maximum water temperature. A 10:1 bleach solution may be used (10 parts water: one part bleach) during the wash cycle.

The HoverMatt should be air dried if possible. Air drying can be expedited by using the air supply to circulate air through the inside of the HoverMatt. If using a dryer, the temperature setting should be set on the coolest setting. Drying temperature should never exceed 115° F (46° C). The backing of the nylon is polyurethane and will begin to deteriorate after repeated high temperature drying. **The Double-Coated HoverMatt should not be put in the dryer.**

To help keep the HoverMatt clean, HoverTech International recommends the use of the HoverCover™ Disposable Absorbent Cover or their Disposable Sheets. Whatever the patient is lying on to keep the hospital bed clean may also be placed on top of the HoverMatt.

The Single-Patient Use HoverMatt is not intended to be laundered.

AIR SUPPLY CLEANING AND MAINTENANCE

See air supply manual for reference.

NOTE: CHECK YOUR LOCAL/STATE/FEDERAL/INTERNATIONAL GUIDELINES BEFORE DISPOSAL.

PREVENTIVE MAINTENANCE

Prior to use, a visual inspection should be performed on the HoverMatt to ensure that there is no visible damage that would render the HoverMatt unusable. The HoverMatt should have all of its patient safety straps and handles (reference the manual for all appropriate parts). There should be no tears or holes that would prevent the HoverMatt from inflating. If any damage is found that would cause the system not to function as intended, the HoverMatt should be removed from use and returned to HoverTech International for repair (Single-Patient Use HoverMatts should be discarded).

INFECTION CONTROL

HoverTech International offers superior infection control with our heat-sealed reusable HoverMatt. This unique construction eliminates the needle holes of a sewn mattress which can be potential bacterial entry ways. Additionally, the heat-sealed, Double-Coated HoverMatt offers a stain and fluid proof surface for easy cleaning. The Single-Patient Use HoverMatt is also available to eliminate the possibility of cross-contamination and the need for laundering.

If the HoverMatt is used for an isolation patient, the hospital should employ the same protocols/procedures it utilizes for the bed mattress and/or for linens in that patient room.

Returns and Repairs

All products being returned to HoverTech International (HTI) must have a Returned Goods Authorization (RGA) number issued by the company. Please call (800) 471-2776 and ask for a member of the RGA Team who will issue you an RGA number. Any product returned without an RGA number will cause a delay in the repair time.

Returned products should be sent to:

HoverTech International
Attn: RGA # _____
4482 Innovation Way
Allentown, PA 18109



4482 Innovation Way
Allentown, PA 18109

800.471.2776
Fax 610.694.9601

www.HoverMatt.com
Info@HoverMatt.com